

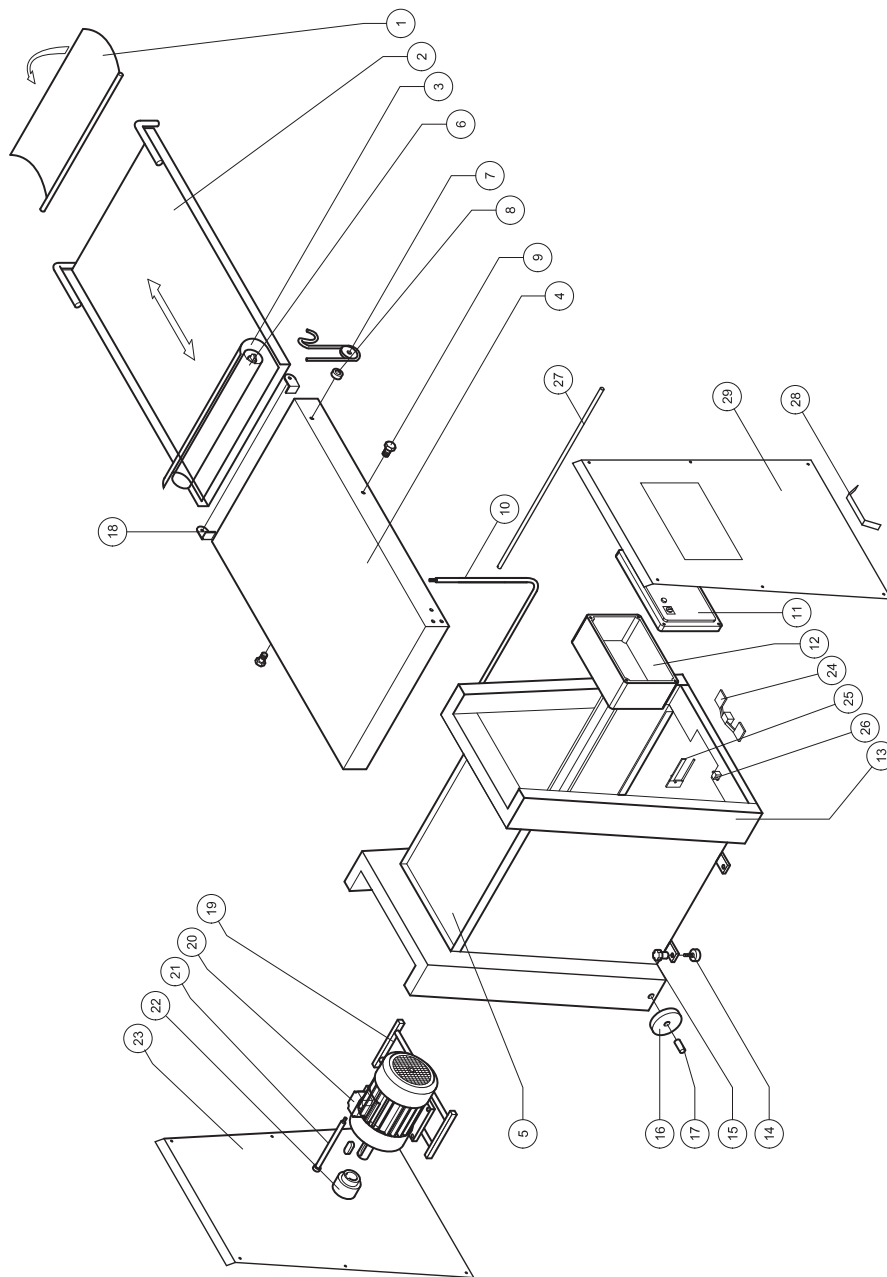
SPARE PARTS

9. MK500 Spare parts

- 01. Extension for underbed
- 02. Underbed
- 03. Conveyor belt
- 04. Bed
- 05. Scrap collecting drawer
- 06. Belt tensioning cylinder
- 07. Fork for rolling pin
- 08. Spacer
- 09. Underbed locking flywheel
- 10. Surface support
- 11. Electric box cover
- 12. Electric box
- 13. Frame
- 14. Adjusting foot
- 15. Foot adjustment flywheel
- 16. Wheel
- 17. Screw for wheel
- 18. Belt rod
- 19. Motor support
- 20. Electric motor
- 21. Motor fulcrum pin
- 22. Motor pulley
- 23. Rear side closing panel
- 24. Pedal
- 25. Pedal lever
- 26. micro-switch for inverting mov. with pedal
- 27. Surface fulcrum rod
- 28. Pedal control guard
- 29. Front side closing panel

SPARE PARTS

9. MK500 Spare parts



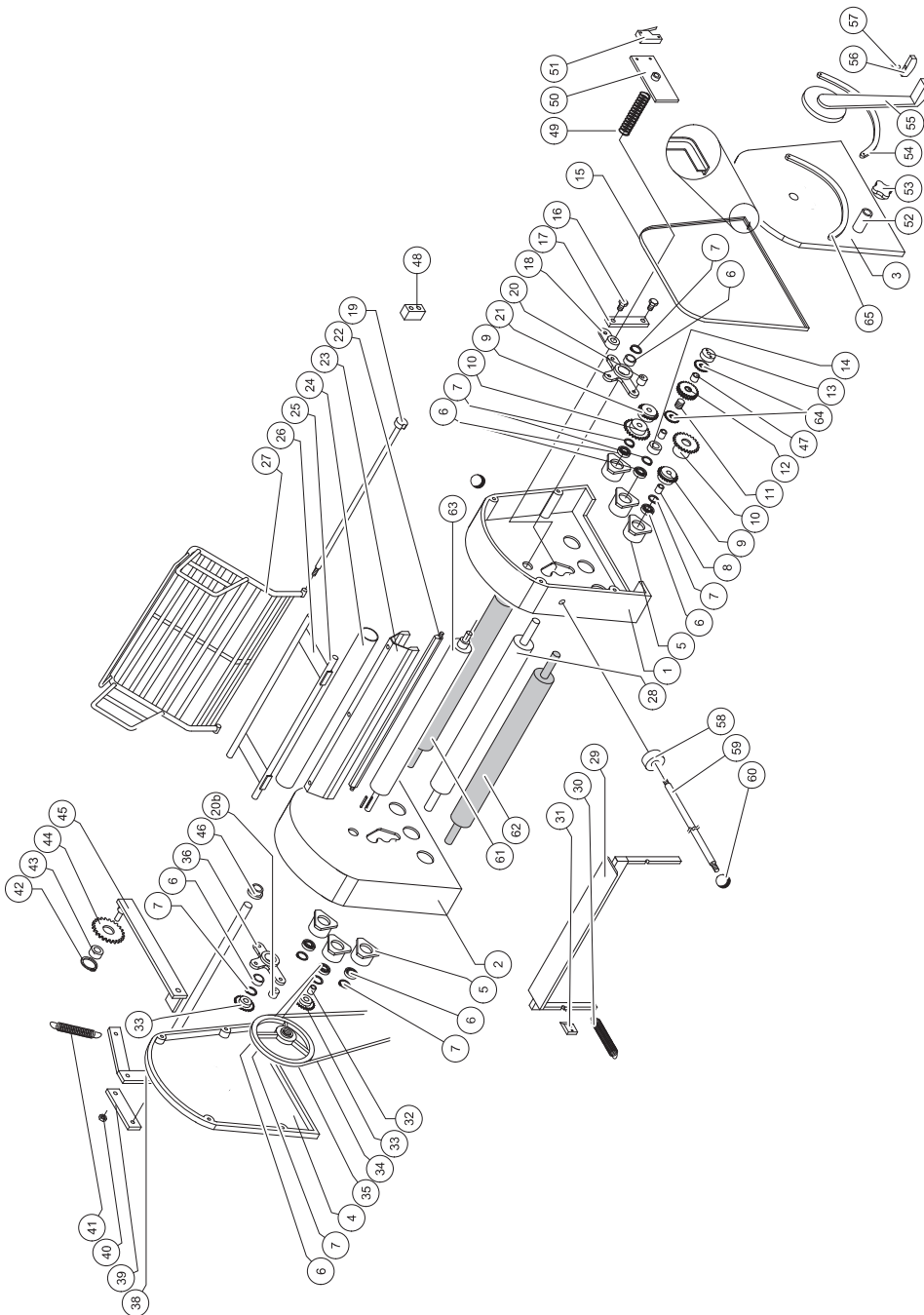
SPARE PARTS

9. MK500 Spare parts

- | | |
|---------------------------------------|---|
| 01. Right shoulder | 45. Chain tie rod |
| 02. Left shoulder | 46. Bushing for lifting shaft |
| 03. Right panel | 47. Spacer |
| 04. Left panel | 48. Guard closing micro-switch |
| 05. Flange | 49. Spring |
| 06. 6004 2RS bearing | 50. micro-switch plate |
| 07. Seeger ring | 51. Inverse manual movement micro-switch |
| 08. Spacer | 52. Lever end stop |
| 09. free wheel Z=16 1/2" x 1/8" | 53. Flywheel |
| 10. Threaded pinion | 54. Toothed segment |
| 11. Double-threaded screw | 55. Handle |
| 12. Double crown Z=16 1/2" x 1/8" | 56. Lever for handle |
| 13. Washer | 57. Spring |
| 14. Spacer | 58. micro-switch spacer |
| 15. Gasket | 59. Manual movement inversion control rod |
| 16. Bolt | 60. Manual control rod knob |
| 17. Lifting rod | 61. Right belt drive cylinder |
| 18. Cylinder moving lever | 62. Left belt drive cylinder |
| 19. Guard rod | 63. Mobile cylinder |
| 20. Bushing | 64. Idle crown Z=16 3/8 |
| 20b. Eccentric bushing | 65. Lever end stop segment |
| 21. Right connecting rod | |
| 22. Upper scraper shaft | |
| 23. Upper scraper | |
| 24. Lifting shaft cover | |
| 25. Spacer | |
| 26. Bowl support | |
| 27. Shield | |
| 28. Fixed cylinder | |
| 29. Lower scraper | |
| 30. Lower scraper tightening spring | |
| 31. Scraper positioning sector | |
| 32. Spacer | |
| 33. Pinion Z=16 3/8" | |
| 34. A57 V-belt | |
| 35. Pulley | |
| 36. Left connecting rod | |
| 38. Shaft for lifting | |
| 39. Shaft for connecting rod movement | |
| 40. Bronze bush | |
| 41. Handle return spring | |
| 42. Seeger ring | |
| 43. 6005 2RS bearing | |
| 44. Chain tensioning crown | |

SPARE PARTS

9. MK500 Spare parts



SPARE PARTS

9. MK 600 Spare parts

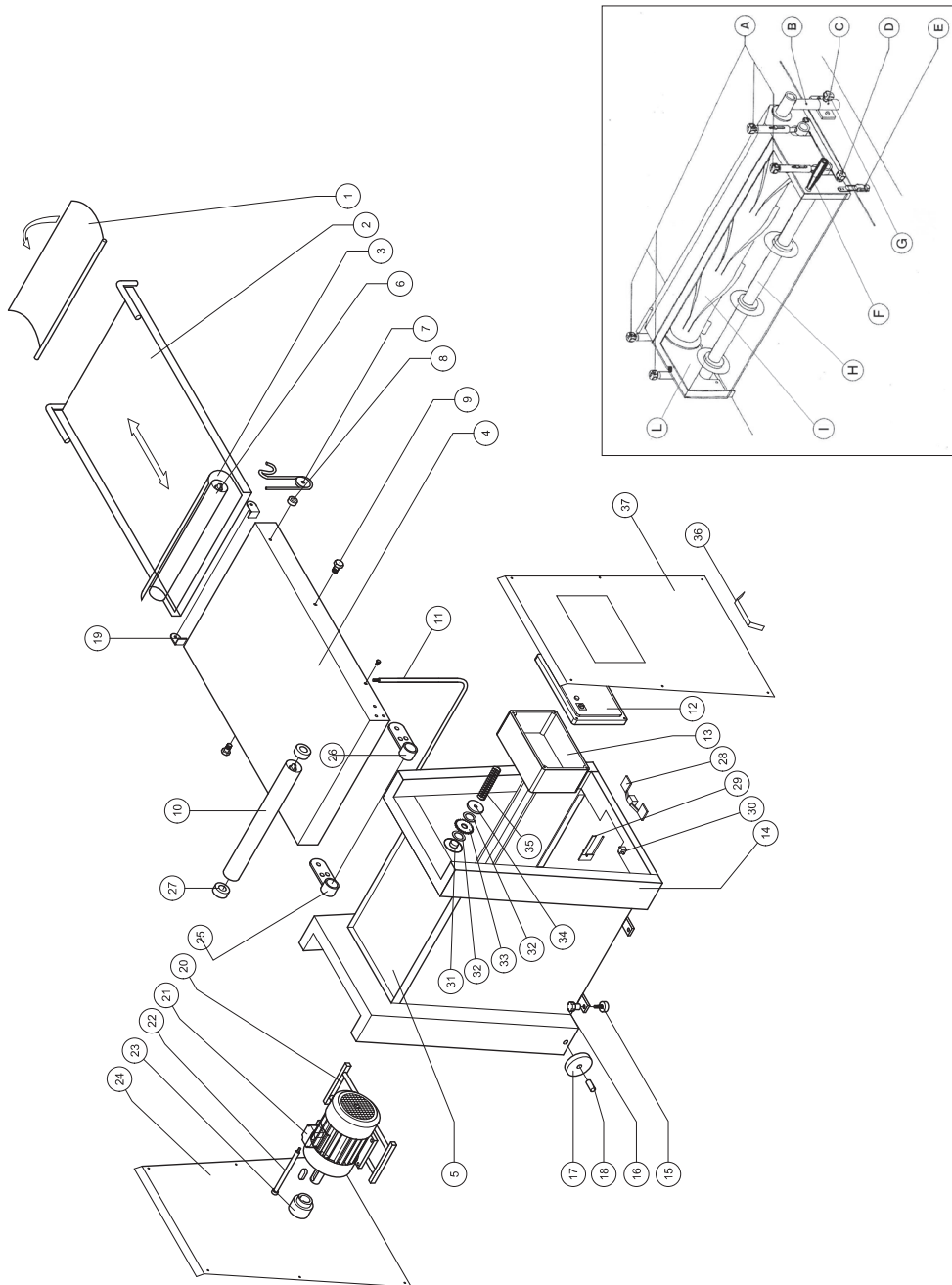
- 01. Extension for underbed
- 02. Underbed
- 03. Conveyor belt
- 04. Bed
- 05. Scrap collecting drawer
- 06. Belt tensioning cylinder
- 07. Fork for rolling pin
- 08. Spacer
- 09. Underbed locking flywheel
- 10. Belt drive cylinder
- 11. Surface support
- 12. Electric box cover
- 13. Electric box
- 14. Frame
- 15. Adjusting foot
- 16. Food adjustment flywheel
- 17. Wheel
- 18. Screw for wheel
- 19. Belt rod
- 20. Motor support
- 21. Electric motor
- 22. Motor fulcrum pin
- 23. Motor pulley
- 24. Rear side closing panel
- 25. Surface support
- 26. Surface support
- 27. 6202 2RS bearing
- 28. Pedal
- 29. Pedal lever
- 30. micro-switch for inverting movement by pedal
- 31. Clutch body
- 32. Disc of braking material
- 33. Crown
- 34. Disc pushing washer
- 35. Spring
- 36. Pedal control guard
- 37. Front side closing panel

Small drawer with cutting device applied to the MK600 2-speed pastry sheeter

- A. Pastry pressure adjustment knobs
- B. Plug
- C. Support
- D. Knob
- E. Closing hinge
- F. Handle
- G. Machine saddle box fixing knob
- H. First cutting roller
- I. Second cutting roller
- L. Clear shield

SPARE PARTS

9. MK 600 Spare parts



SPARE PARTS

9. MK 600 Spare parts

- | | |
|------------------------------------|---|
| 01. Right shoulder | 44. Spring |
| 02. Left shoulder | 45. Seeger elastic safety ring |
| 03. Right panel | 46. 6005 2RS bearing |
| 04. Left panel | 47. Chain tensioning crown |
| 05. Flange | 48. Chain tightener |
| 06. 6204 2RS bearing | 49. Bushing |
| 07. Seeger elastic safety ring | 50. 3205 2RS bearing |
| 08. Spacer | 51. Seeger elastic safety ring |
| 09. free wheel Z=16 1/2" x 3/16" | 52. Seeger elastic safety ring |
| 10. Threaded pinion | 53. Washer |
| 11. Double-threaded screw | 54. Spring |
| 12. Double crown Z=18 1/2" x 3/16" | 55. Pin |
| 13. Washer | 56. Spacer |
| 14. Spacer | 57. Spacer |
| 15. Gasket | 58. Guard micro-switch |
| 16. Bolt | 59. Micro plate |
| 17. Lifting rod | 60. Spring |
| 18. Movement connecting rod | 61. micro-switch plate |
| 19. Guard rod | 62. Inverse manual movement micro-switch |
| 20. Bushing | 63. Lever end stop |
| 20b. Eccentric bushing | 64. Flywheel |
| 21. Right connecting rod | 65. Toothed segment |
| 22. Scraper shaft | 66. Handle |
| 23. Upper scraper | 67. Lever for handle |
| 24. Cover for lifting shaft | 68. Spring |
| 25. Spacer | 69. micro-switch spacer |
| 26. Bowl support | 70. Manual movement inversion control rod |
| 27. Shield | 71. Manual control rod knob |
| 28. Flange | 72. Idle crown Z=15 1/2" x 3/16" |
| 29. Drive shaft | 73. Lever end stop segment |
| 30. Fixed cylinder | |
| 31. Mobile cylinder | |
| 32. Lower scraper | |
| 33. Lower scraper spring | |
| 34. Scraper positioning sector | |
| 35. Spacer | |
| 36. Double pinion Z=17 3/8" | |
| 37. A61 V-belt | |
| 38. Pulley | |
| 39. Left connecting rod | |
| 40. Flange | |
| 41. Lifting shaft | |
| 42. Lifting rod | |
| 43. Bronze bush | |

SPARE PARTS

9. MK 600 Spare parts

